

Halio® Tint Driver

The Halio Tint Driver intelligently controls Halio smart-tinting glass, ensuring desired tint levels are achieved quickly and reliably. Each Halio insulating glass unit (IGU) or laminated glass unit (LGU) is connected to a Tint Driver. The Tint Driver wirelessly receives instructions from the System Gateway to adjust the glass tint levels. It also supplies the precise voltage and current profile to drive the glass to the desired tint level. Additionally, the driver continuously monitors the status of the Halio IGU or LGU, allowing for advanced tint speed matching and analytics.



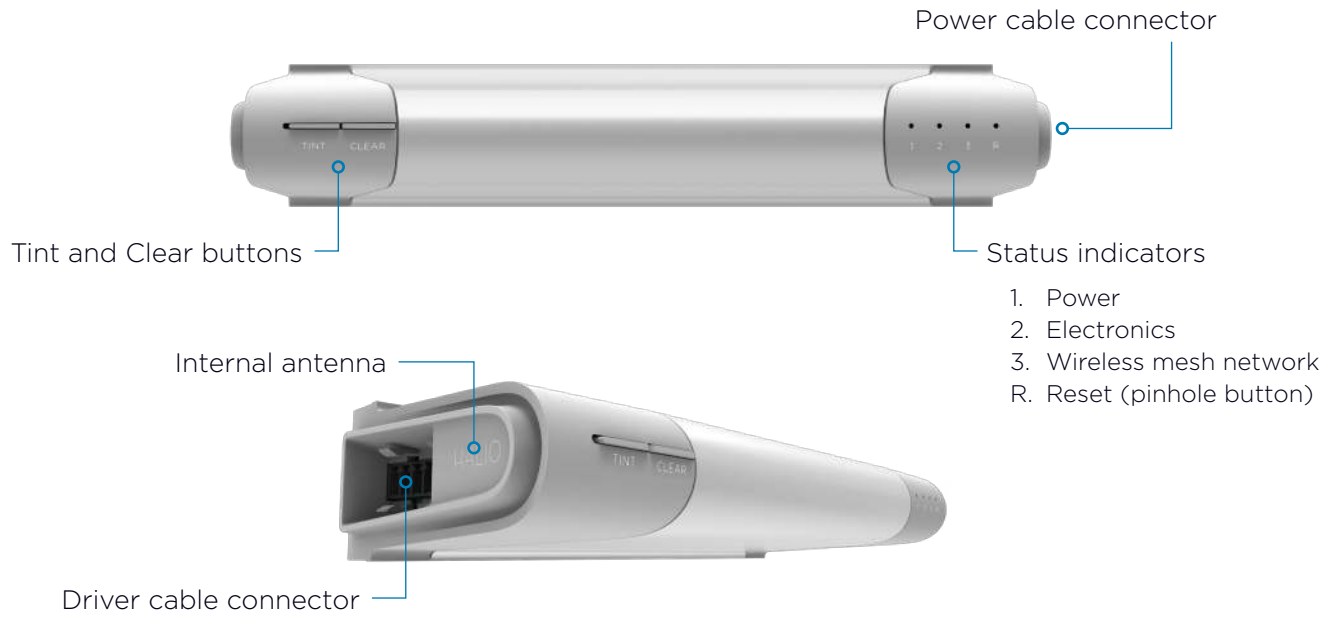
KEY FEATURES & BENEFITS

- Intelligently controls tint levels of Halio smart-tinting glass
- Communicates wirelessly with Halio system via robust, secure mesh network
- Tailors power output to match specific glass configuration
- Built-in buttons allow for manual tinting and clearing
- Continuously monitors glass tinting performance
- Addressable via IPv6 for a highly secure, scalable network
- Automatic on-site software upgrades ensure optimum Halio system performance

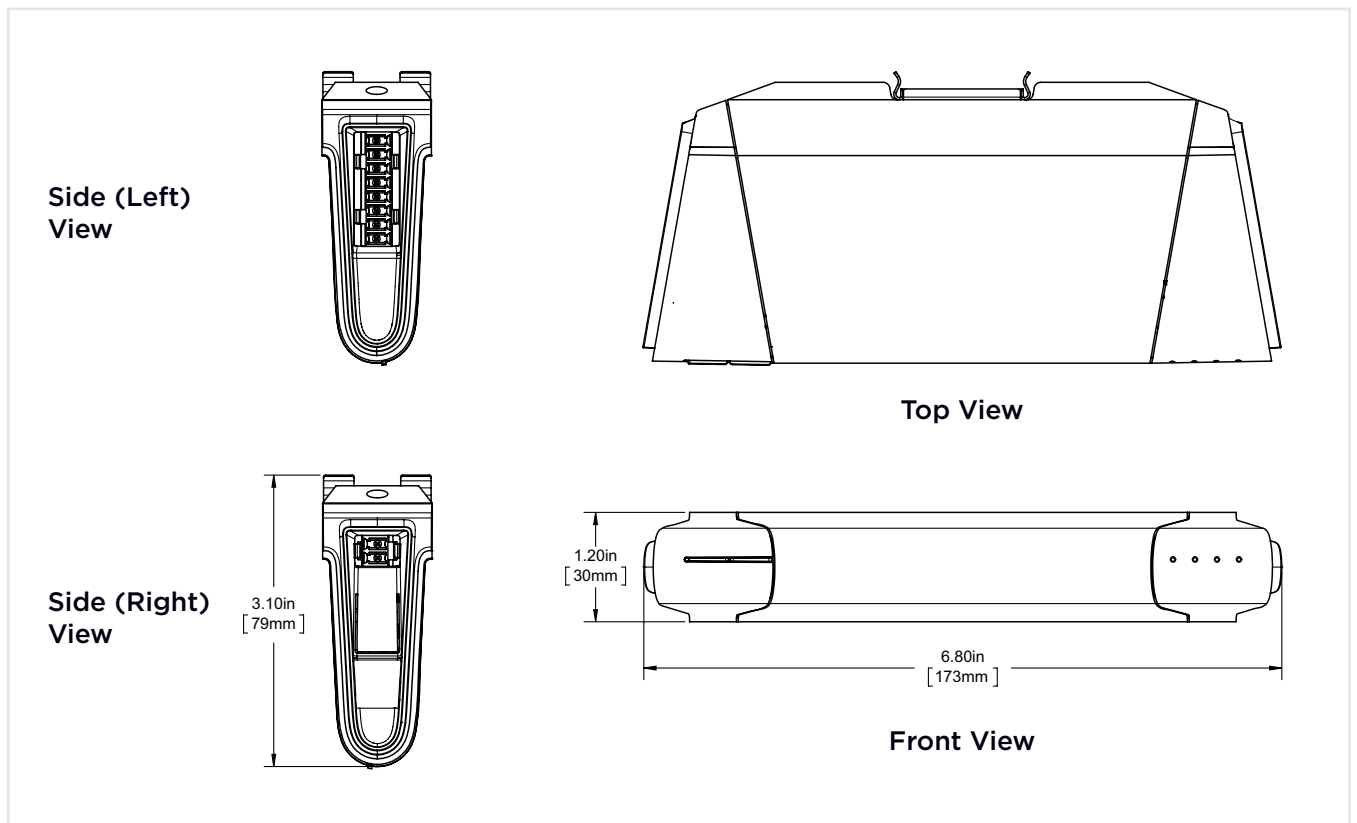
INSTALLATION

- Mount on standard DIN rail in Halio Component Cabinet
- Connect to Halio glass using Halio Driver Cable
- Connect to 48VDC Halio System Power
- Join secure wireless mesh network from Halio System Gateway

TINT DRIVER PORTS AND FUNCTIONS



TINT DRIVER TECHNICAL DRAWINGS



SPECIFICATIONS

Model	DR200															
Power Input	Input Voltage: 48VDC Power Connector: 2-position push-in (48V+, GND)															
Power Output	Peak Output Voltage: 42VDC															
	<table border="1"> <tr> <td>Peak Output: Per glass size</td> <td>2' x 4'</td> <td>3' x 5'</td> <td>4' x 8'</td> <td>5' x 10' Halio Black</td> </tr> <tr> <td>Peak Current</td> <td>1.3A</td> <td>2.5A</td> <td>3A</td> <td>7.8A</td> </tr> <tr> <td>Peak Power</td> <td>9W</td> <td>41W</td> <td>49W</td> <td>327W</td> </tr> </table>	Peak Output: Per glass size	2' x 4'	3' x 5'	4' x 8'	5' x 10' Halio Black	Peak Current	1.3A	2.5A	3A	7.8A	Peak Power	9W	41W	49W	327W
	Peak Output: Per glass size	2' x 4'	3' x 5'	4' x 8'	5' x 10' Halio Black											
	Peak Current	1.3A	2.5A	3A	7.8A											
Peak Power	9W	41W	49W	327W												
<p>Power output varies per glass size (per examples above). Peak power occurs within first minute of tinting or clearing, dropping quickly as transition progresses. For example, tinting a 4' x 8' window consumes less than 0.3Ah (similar to a CR2032 coin cell battery).</p> <p>Standby Power Consumption: <0.25W</p>																
Halio Glass Connectivity	Driver Cable Connector: 8-position push-in Max Cable Length: 300' 100m <i>Using approved Halio cable driver</i>															
Network Connectivity	Wireless Protocol: IEEE 802.15.4 wireless mesh networking, 2.4GHz Network Communication Protocol: IPv6 TCP/IP Point-to-Point Range: 100' 30m typical <i>Wireless range highly dependent on building materials & RF environment</i>															
Embedded Software	Dynamically controls power output to glass and communicates to system Automatic over-the-air updates															
Product Dimensions	Size: 1.2" H x 6.8" W x 3.1" D 30mm H x 173mm W x 79mm D Weight: 0.75lb 340g															
Environmental	Indoor Use Only Ambient Operating Temperature: 32°F to 104°F 0°C to 40°C Recommended Relative Humidity: 30% - 70% RH Storage Temperature: -4°F to 140°F -20°C to 60°C Electrostatic Discharge Protection: +20kV															
Certifications	ETL, CE, FCC, IC, RoHS, WEEE															

What's Included

- DR200 Tint Driver
- Driver cable connector

Warranty

5 years, limited

©2019 Kinestral Technologies, Inc. Halio and Kinestral are trademarks of Kinestral Technologies, Inc. Halio North America, LLC and Halio International, S.A. are licensees of the Halio trademark and brand. All other trademarks are owned by their respective manufacturers.

HTDv3-20190913

HALIO

halio.com