

# Halio<sup>®</sup> System Gateway



The Halio System Gateway intelligently manages communication between Halio Cloud software and all on-site wireless Halio devices such as Tint Drivers, sensors, user interfaces, and more. It ensures a highly secure connection to the Halio Cloud and coordinates all automation, manual control functions, and system updates.

## INSTALLATION

- Mount to standard DIN rail in Halio Component Cabinet
- Connect to 48VDC Halio System Power
- Connect to Internet and Halio Cloud with standard Ethernet cable
- Creates secure wireless mesh network for on-site Halio devices

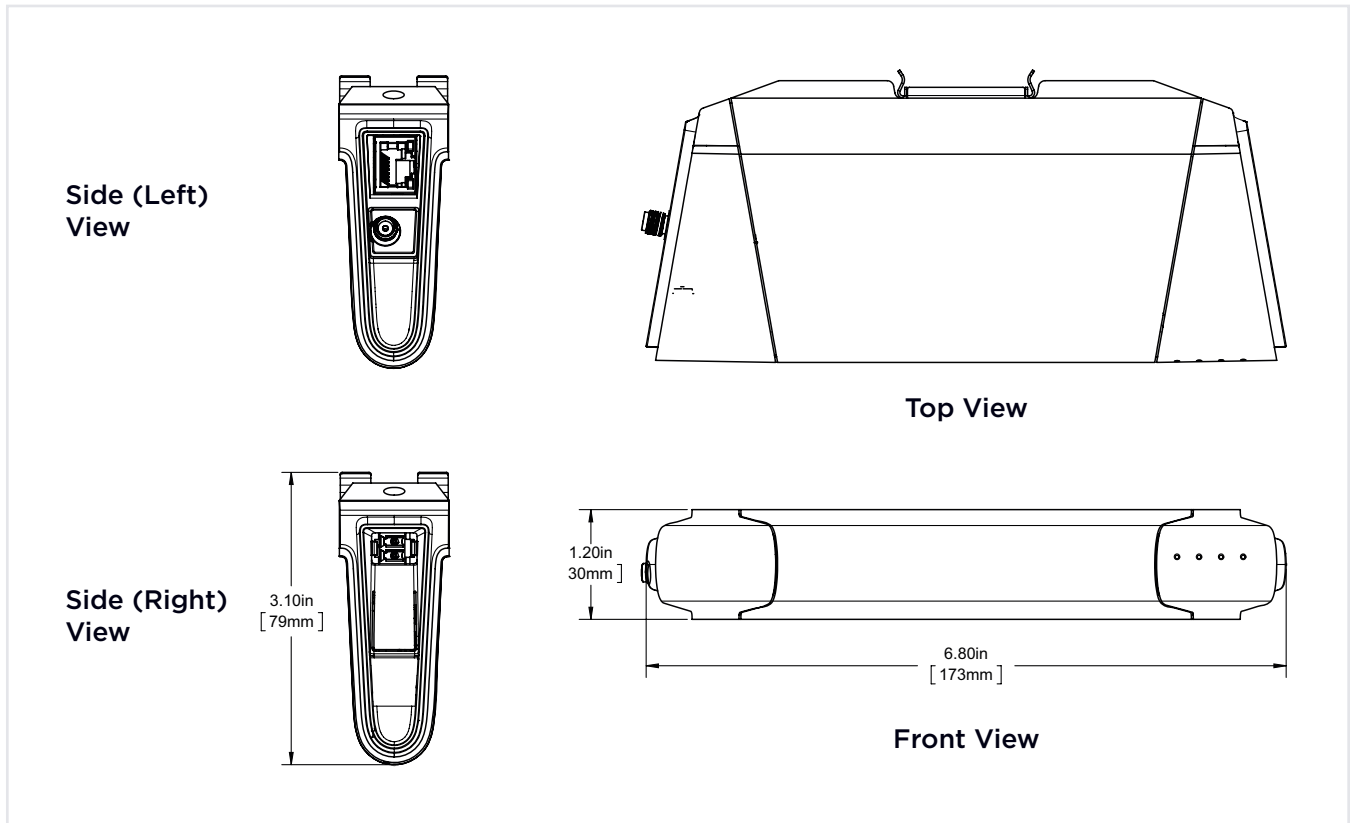
## KEY FEATURES & BENEFITS

- Manages all communication between the Halio Cloud and on-site wireless Halio devices
- Creates secure wireless mesh network for on-site Halio devices
- Provides secure TLS/SSL connectivity with Halio Cloud
- Coordinates Halio system automation as well as manual control commands
- Facilitates on-site device software updates to ensure optimal performance
- Reports local device status and system analytics to the Halio Cloud
- Executes scheduled functions if Internet connection is temporarily lost

## SYSTEM GATEWAY PORTS AND FUNCTIONS



## SYSTEM GATEWAY TECHNICAL DRAWINGS



## SPECIFICATIONS

<b>Model</b>	GW100
<b>Power</b>	Input Voltage: 48VDC Operating Power: 2W Power Connector: 2-position push-in (48VDC+, GND)
<b>Network Connectivity</b>	Ethernet Connection: RJ45 Ethernet <i>10Mbps always-on broadband Internet access required</i> Wireless Antenna: Screw-on SMA whip <i>Additional external antenna options available</i> Wireless Protocol: IEEE 802.15.4 wireless mesh networking, 2.4GHz Network Communication Protocol: IPv6 TCP/IP Point-to-Point Range: 100'   30m typical <i>Wireless range highly dependent on building materials &amp; RF environment</i>
<b>Embedded Software</b>	Communicates with Halio Cloud and on-site mesh network devices Automatic over-the-air updates
<b>Product Dimensions</b>	Size: 1.2" H x 6.8" W x 3.1" D   30mm H x 173mm W x 79mm D Weight: 0.6lb   270g
<b>Environmental</b>	Indoor Use Only Ambient Operating Temperature: 32°F to 104°F   0°C to 40°C Recommended Relative Humidity: 30% - 70% RH Storage Temperature: -4°F to 140°F   -20°C to 60°C Electrostatic Discharge Protection: +20kV
<b>Certifications</b>	ETL, CE, FCC, IC, RoHS, WEEE

### What's Included

- GW100 System Gateway
- External antenna (screw-on)

### Warranty

5 years, limited

©2019 Kinestral Technologies, Inc. Halio and Kinestral are trademarks of Kinestral Technologies, Inc. Halio North America, LLC and Halio International, S.A. are licensees of the Halio trademark and brand. All other trademarks are owned by their respective manufacturers.

HSGv5-20190916

HALIO®

halio.com